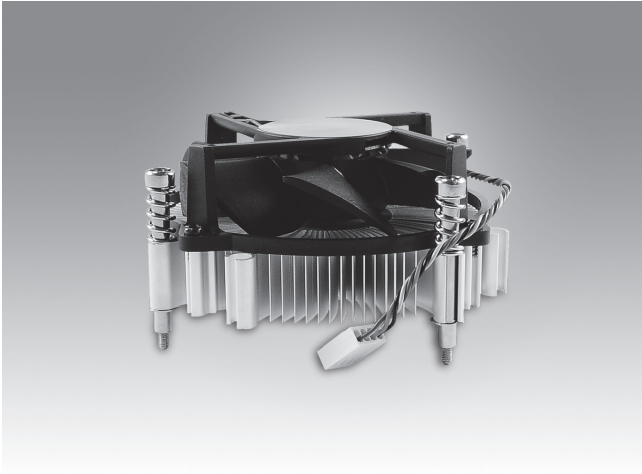


WIN-DH0-065BT2U

Active 2U 65W CPU Cooler for Intel® Socket H



Features

- High performance and low noise fan design
- IPC system application
- Oxygen-free copper and aluminum heat sink
- Industrial level two ball bearing fan
- Supports PWM
- 5-year warranty

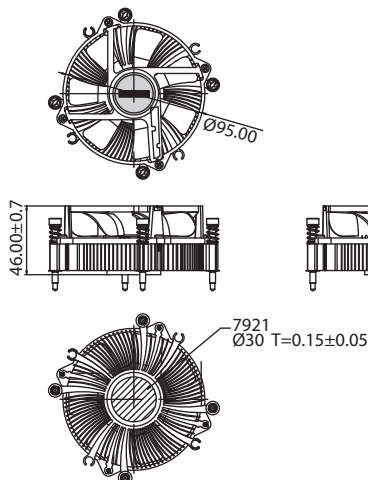


Specifications

Compatible Socket		LGA 1150/1155/1156
Heat Sink	Heat Pipe	N/A
	Material	Cu + Al
Fan	Dimensions (W x H x D)	90 x 90 x 20 mm / 3.54" x 3.54" x 0.79"
	Speed	4,500 RPM
	Air Flow	57.7 CFM
	Air Pressure	8.6 mm H ₂ O
	Rated Voltage	12 V
	Rated Current	0.4 A
	Power Consumption	7.2 W
	Bearing Type	2 Ball
	Noise Level	51.5 dBA max.
	Connector	4-pin
MTBF (hr)	70,000 @ 40°C	
Max. Cooling Capacity		65 W
Cooler Height		2U
Dimensions (W x H x D)		93 x 93 x 46 mm / 3.66" x 3.66" x 1.77"
Weight		307 g / 0.68 lb.
Warranty		5 years

Dimensions

Unit: mm



Ordering Information

Part Number	Description
WIN-DH0-065BT2U	Cooler Socket H 65W 93 x 93 x 46 mm Act.